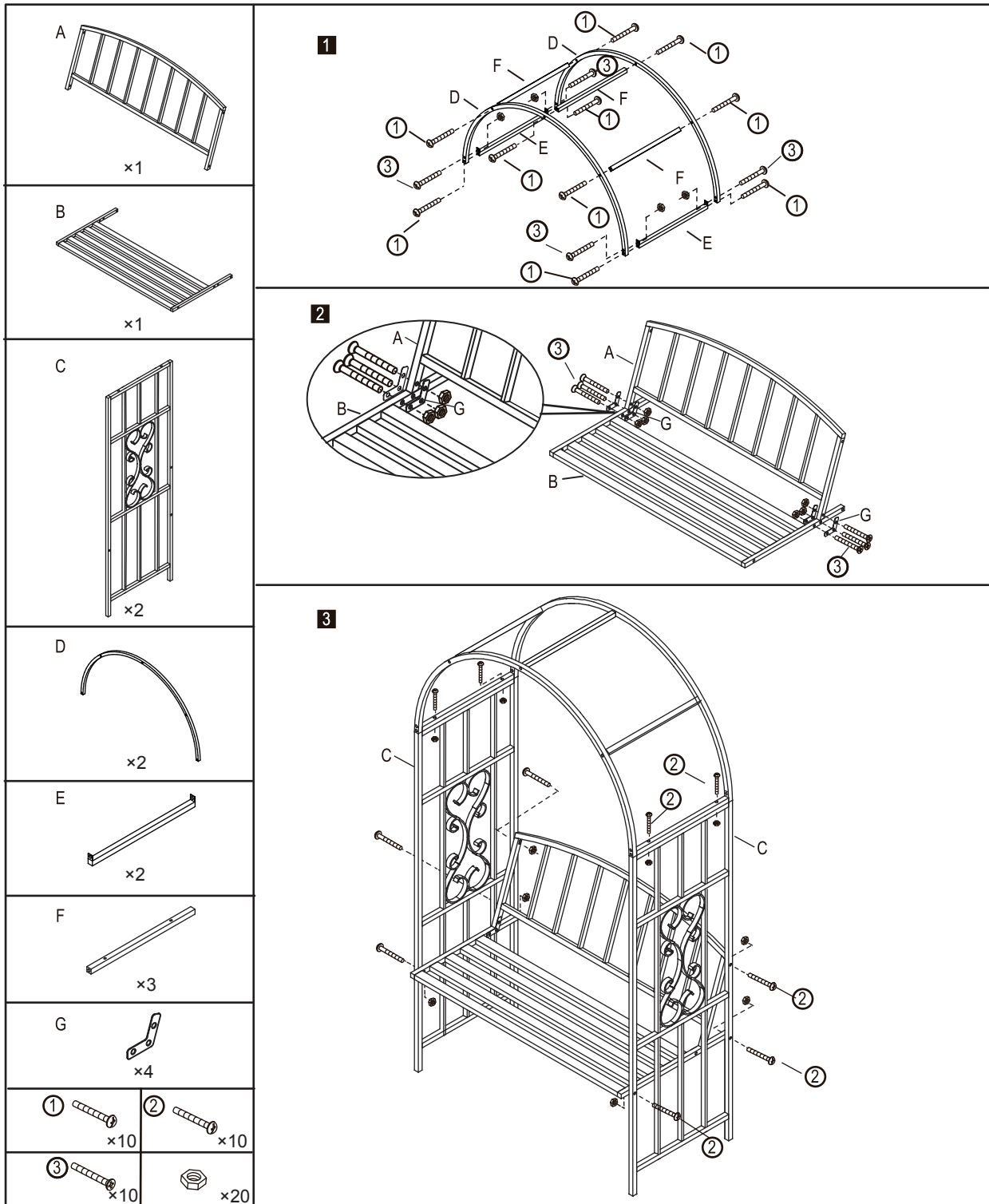


Victorian Garden Arch with seat

INSTRUCTION MANUAL

Model No. EL9675

Please read carefully before use and keep for future reference



TECHNICAL SPECIFICATION

Measurement: H208xW114xD52cm

Material: Metal

Maximum Weight limit: 125KGS

Imported and distributed by Easylife Group Ltd, London NW1 0JP

Support Line: 0333 030 0777

For more innovative products from Easylife please visit:

www.easylifegroup.com

IN9675 © 2019 Easylife Group Ltd