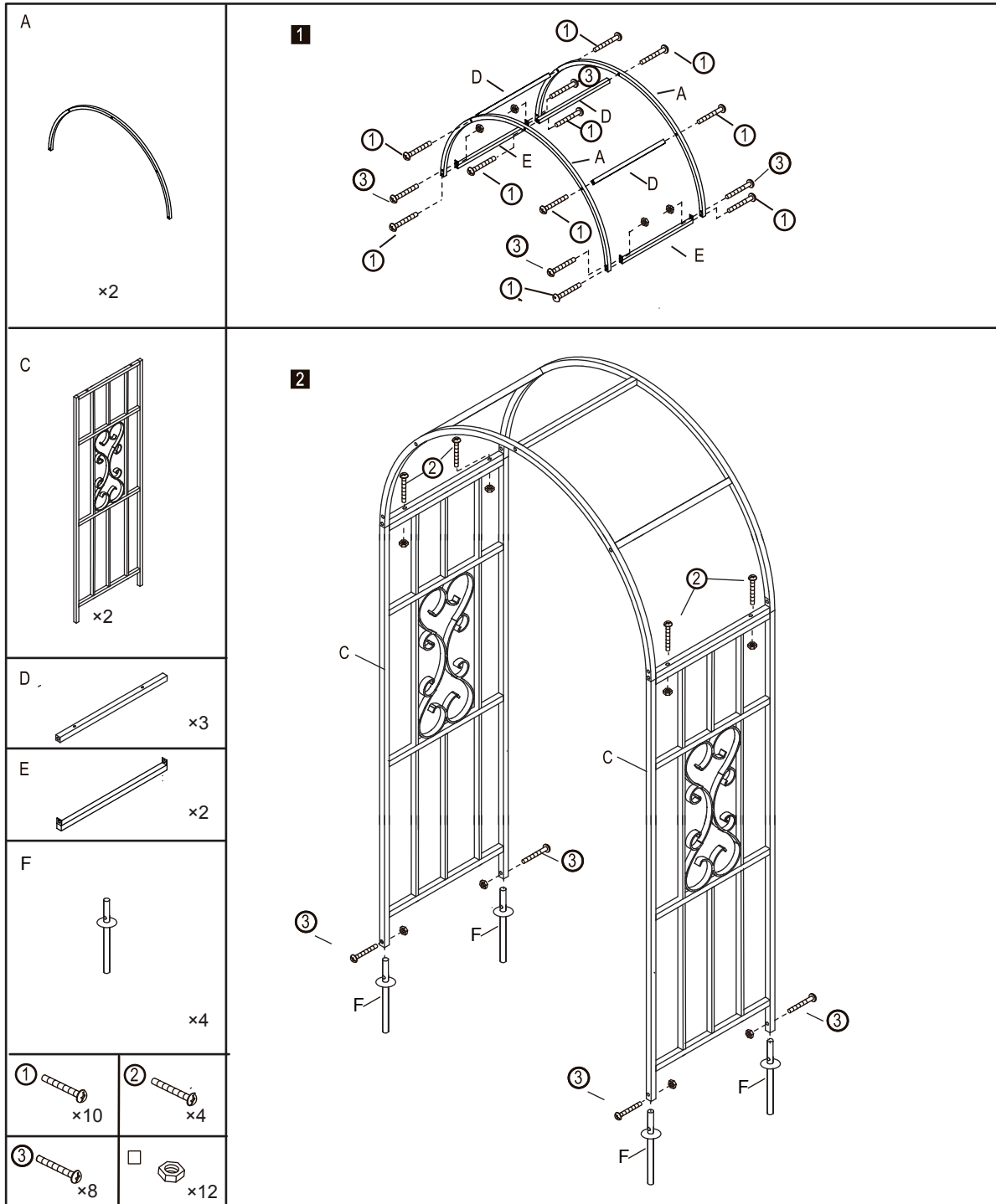


Victorian Garden Arch

INSTRUCTION MANUAL

Model No. EL9674

Please read carefully before use and keep for future reference



TECHNICAL SPECIFICATION

Measurement: H208xW114xD52cm

Material: Metal

Imported and distributed by Easylife Group Ltd, London NW1 0JP

Support Line: 0333 030 0777

For more innovative products from Easylife please visit:

www.easylifegroup.com

IN9674 © 2019 Easylife Group Ltd



easylife[™]

Est. 1992 everyday solutions